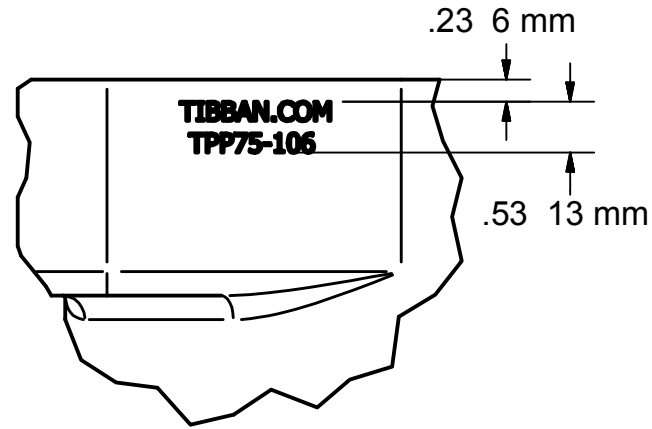
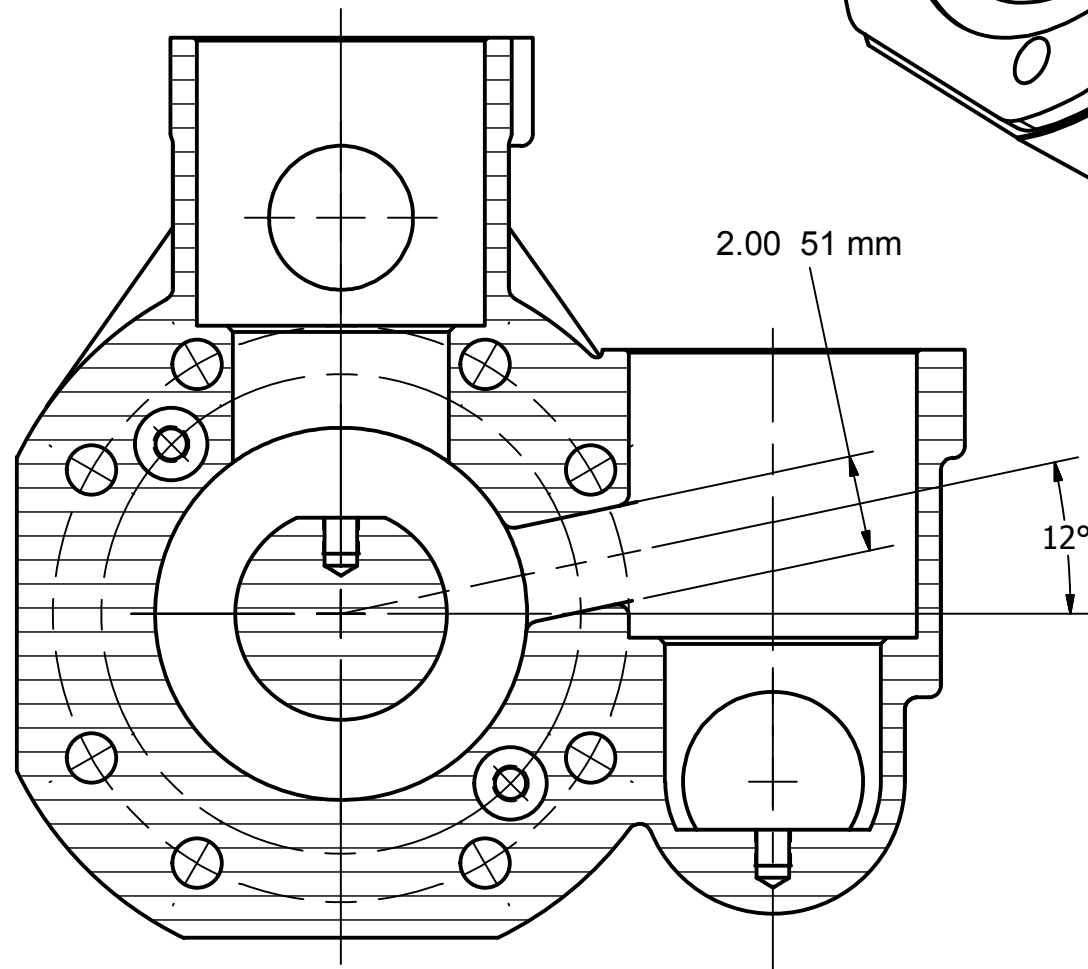
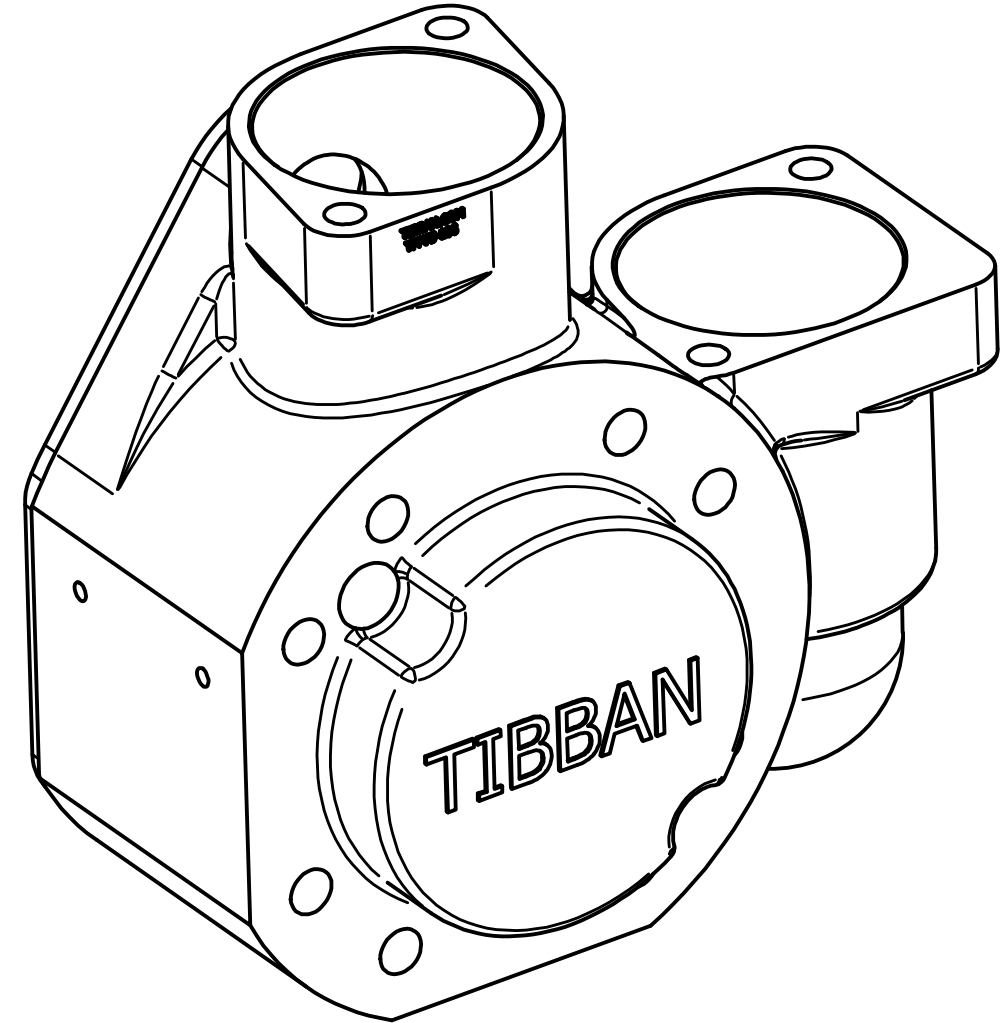
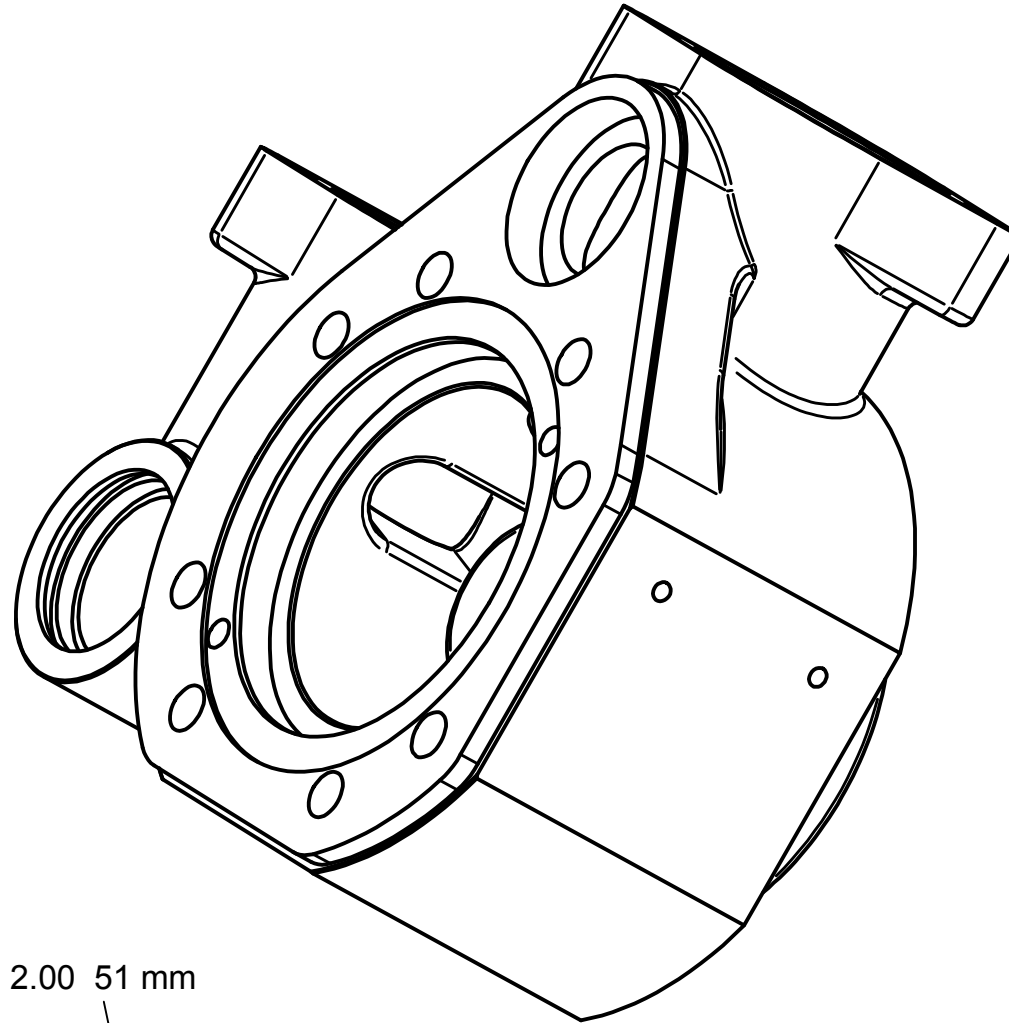


REVISION HISTORY				
ZONE	REV	DESCRIPTION	DATE	APPROVED
	00	INITIAL RELEASE	13 06 2012	



DETAIL G
SCALE 1 2



SECTION F-F
SCALE 1 4

CASTING NOTES:
UNSPECIFIED CASTING RADIUS' R.06".
ANY UNDIMENSIONED FEATURES REFER TO CAD STEP MODEL.

MATERIAL: ALSI-12 CAST ALUMINUM.

SURFACE TEXTURE: 125 / OR BETTER

MACHINING NOTES:
UNSPECIFIED CHAMFER EDGES .03" X 45°. DEBUR SHARP OR MACHINED EDGES.

MASS: 124.170 lbmass

VOLUME: 1268.271 in³

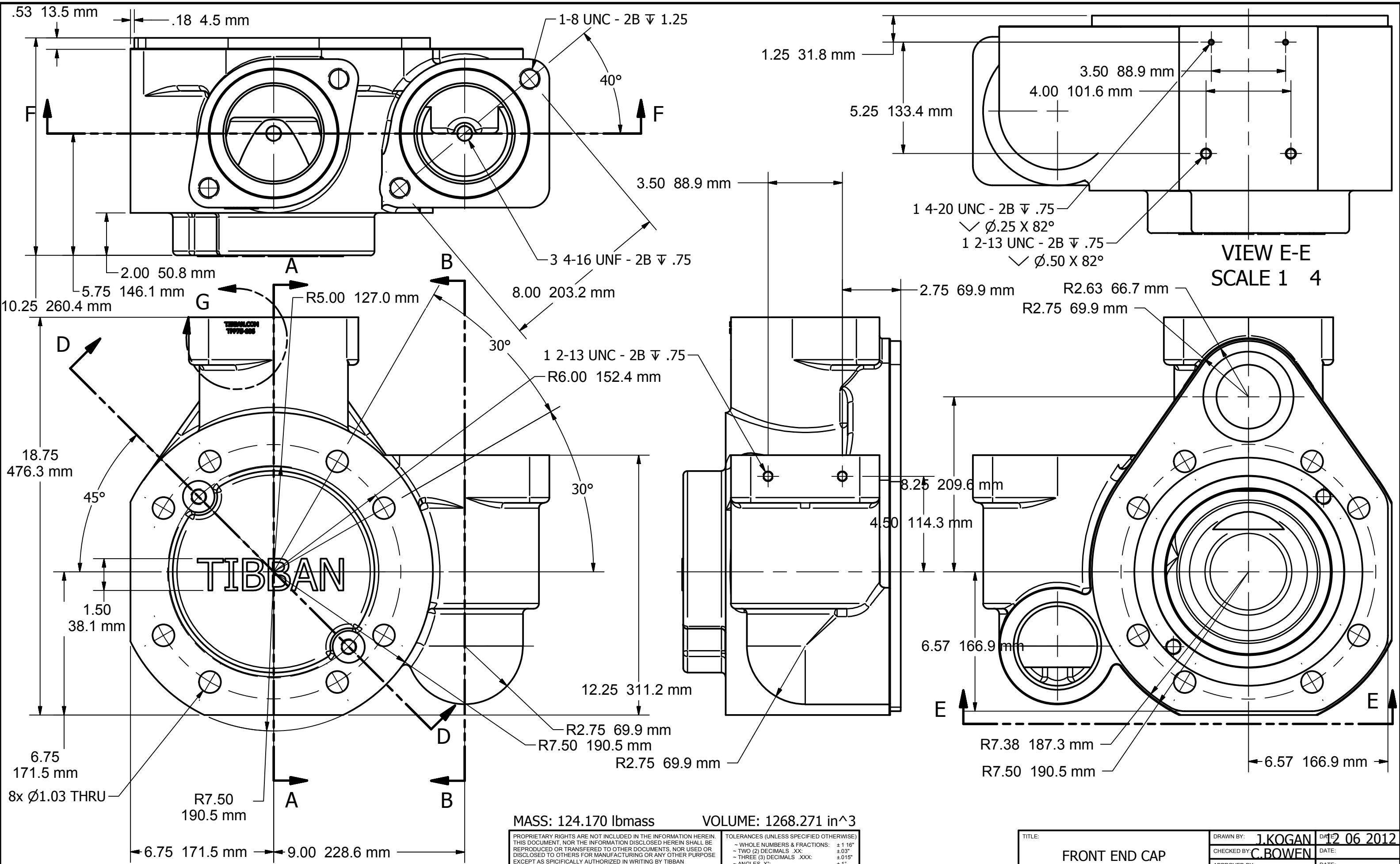
PROPRIETARY RIGHTS ARE NOT INCLUDED IN THE INFORMATION HEREIN. THIS DOCUMENT, NOR THE INFORMATION DISCLOSED HEREIN SHALL BE REPRODUCED OR TRANSFERRED TO OTHER DOCUMENTS, NOR USED OR DISCLOSED TO OTHERS FOR MANUFACTURING OR ANY OTHER PURPOSE EXCEPT AS SPECIFICALLY AUTHORIZED IN WRITING BY TIBBAN MANUFACTURING.

THIS DOES NOT APPLY TO INFORMATION PROVIDED BY VENDORS OR OTHER OUTSIDE PARTIES.

TOLERANCES (UNLESS SPECIFIED OTHERWISE)
~ WHOLE NUMBERS & FRACTIONS: ± 1 16"
~ TWO (2) DECIMALS .XX: ± .03"
~ THREE (3) DECIMALS .XXX: ± .015"
~ ANGLES X°: ± 1°
~ SURFACE: .0006"

DIMENSIONS ARE IN U.S. STANDARD INCHES. (UNLESS SPECIFIED OTHERWISE)

TITLE: FRONT END CAP		DRAWN BY: J.KOGAN		DATE: 12 06 2012
		CHECKED BY: C.BOWEN		DATE:
		APPROVED BY:		DATE:
MATERIAL: MATERIAL	SCALE: 1:5	DRAWING NUMBER: TPP75-106	SIZE: B	SHEET: 1 OF 3
			REV: 00	



MASS: 124.170 lbmass VOLUME: 1268.271 in³

PROPRIETARY RIGHTS ARE NOT INCLUDED IN THE INFORMATION HEREIN. THIS DOCUMENT, NOR THE INFORMATION DISCLOSED HEREIN SHALL BE REPRODUCED OR TRANSFERRED TO OTHER DOCUMENTS, NOR USED OR DISCLOSED TO OTHERS FOR MANUFACTURING OR ANY OTHER PURPOSE EXCEPT AS SPECIFICALLY AUTHORIZED IN WRITING BY TIBBAN MANUFACTURING.

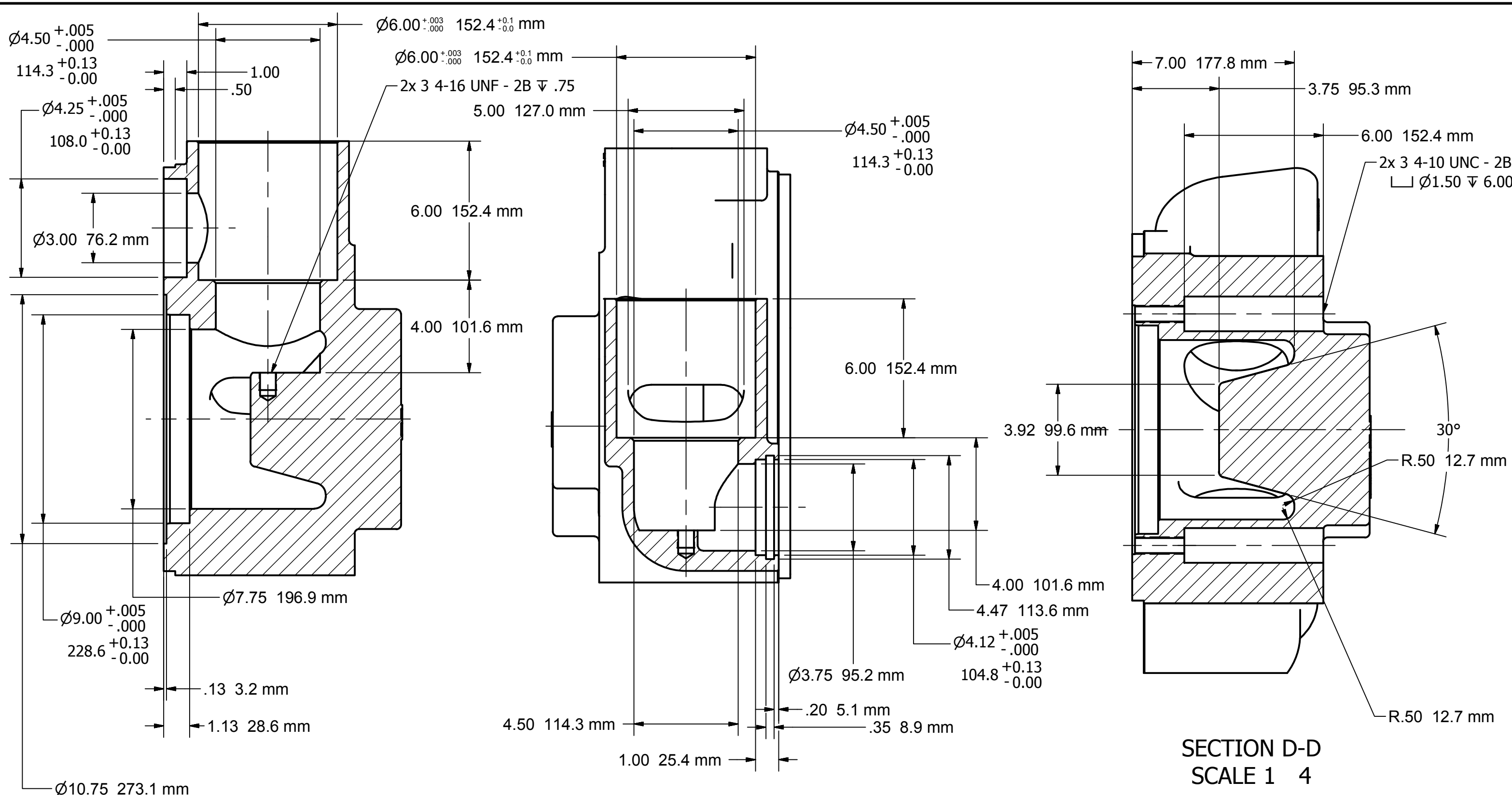
THIS DOES NOT APPLY TO INFORMATION PROVIDED BY VENDORS OR OTHER OUTSIDE PARTIES.

TOLERANCES (UNLESS SPECIFIED OTHERWISE)

- WHOLE NUMBERS & FRACTIONS: \pm 1/16"
- TWO (2) DECIMALS .XX: \pm .03"
- THREE (3) DECIMALS .XXX: \pm .015"
- ANGLES X°: \pm 1°
- SURFACE: .0008"

DIMENSIONS ARE IN U.S. STANDARD INCHES. (UNLESS SPECIFIED OTHERWISE)

TITLE: FRONT END CAP		DRAWN BY: J.KOGAN DATE: 12 06 2012	
MATERIAL:		CHECKED BY: C.BOWEN DATE:	
SCALE: 1:5		APPROVED BY:	
DRAWING NUMBER: TPP75-106		DATE:	
SIZE: B	SHEET: 2	REV: 00	OF: 3



SECTION A-A
SCALE 1 4

SECTION B-B
SCALE 1 4

SECTION D-D
SCALE 1 4

MASS: 124.170 lbmass VOLUME: 1268.271 in³

PROPRIETARY RIGHTS ARE NOT INCLUDED IN THE INFORMATION HEREIN. THIS DOCUMENT, NOR THE INFORMATION DISCLOSED HEREIN SHALL BE REPRODUCED OR TRANSFERRED TO OTHER DOCUMENTS, NOR USED OR DISCLOSED TO OTHERS FOR MANUFACTURING OR ANY OTHER PURPOSE EXCEPT AS SPECIFICALLY AUTHORIZED IN WRITING BY TIBBAN MANUFACTURING.
THIS DOES NOT APPLY TO INFORMATION PROVIDED BY VENDORS OR OTHER OUTSIDE PARTIES.

TOLERANCES (UNLESS SPECIFIED OTHERWISE)
 ~ WHOLE NUMBERS & FRACTIONS: ± 1 16"
 ~ TWO (2) DECIMALS .XX: ± .03"
 ~ THREE (3) DECIMALS .XXX: ± .015"
 ~ ANGLES X°: ± 1"
 ~ SURFACE: .0006"
 DIMENSIONS ARE IN U.S. STANDARD INCHES. (UNLESS SPECIFIED OTHERWISE)

TITLE: FRONT END CAP		DRAWN BY: J.KOGAN		DATE: 12 06 2012
		CHECKED BY: C.BOWEN		DATE:
		APPROVED BY:		DATE:
MATERIAL:	SCALE: 1:5	DRAWING NUMBER: TPP75-106	SIZE: B	SHEET: 3 OF 3
				REV: 00