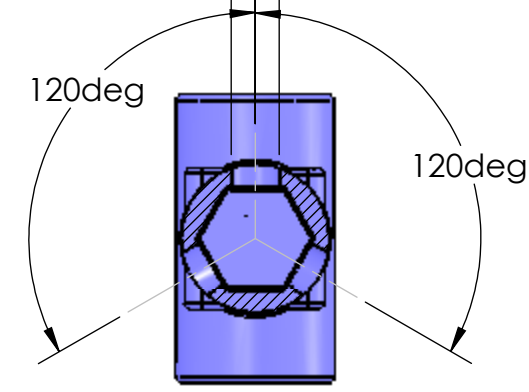
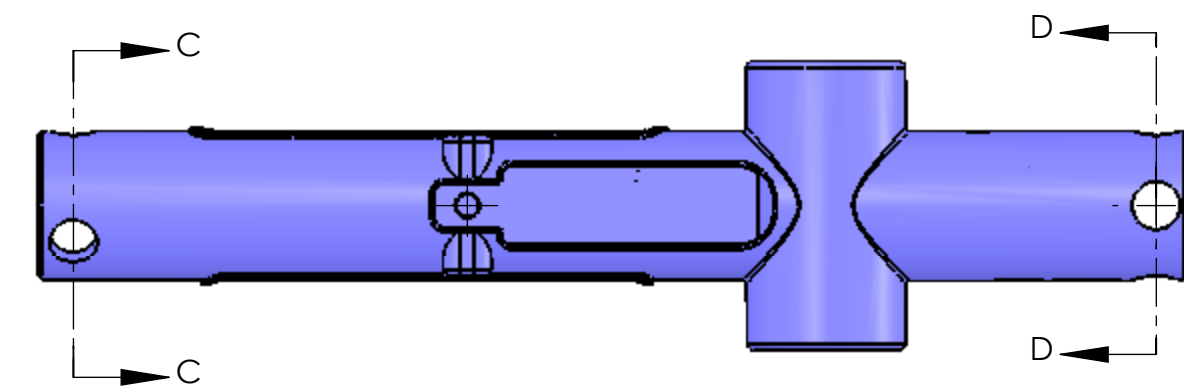
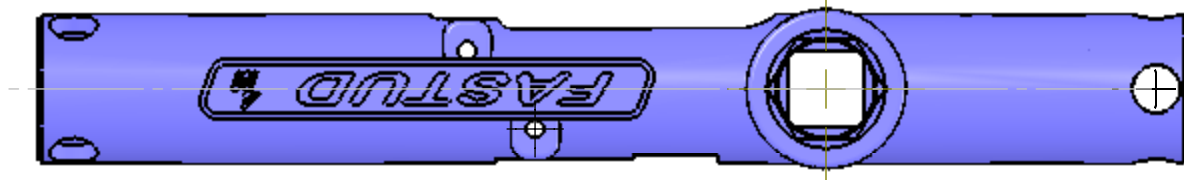


(3 X [6.35mm] Ø.250in)

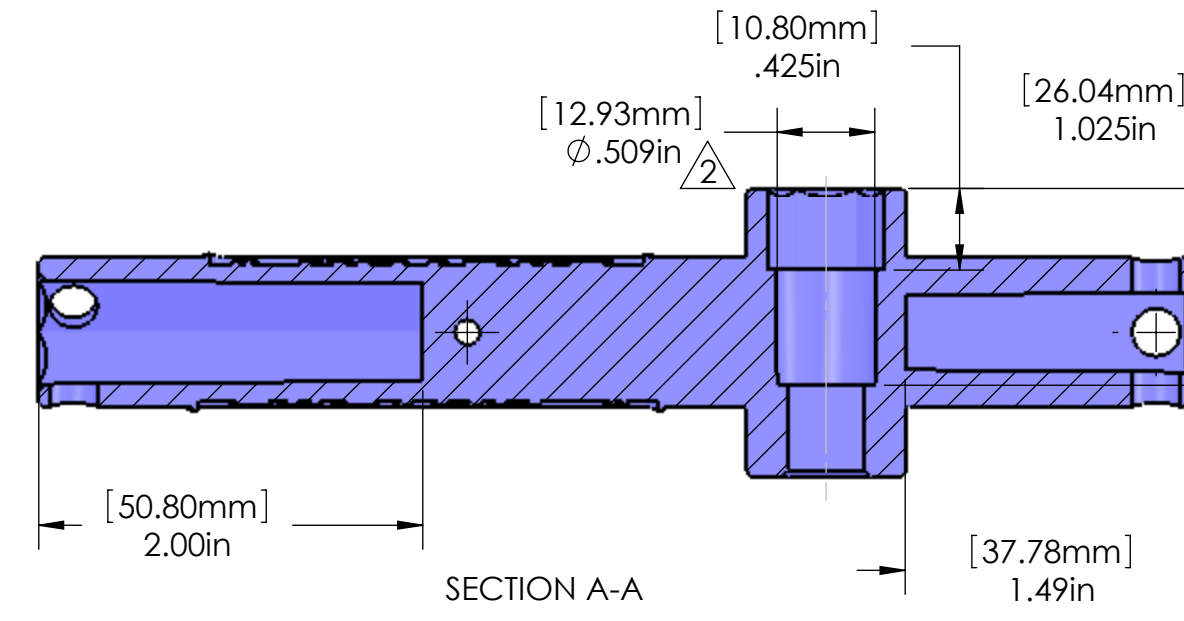
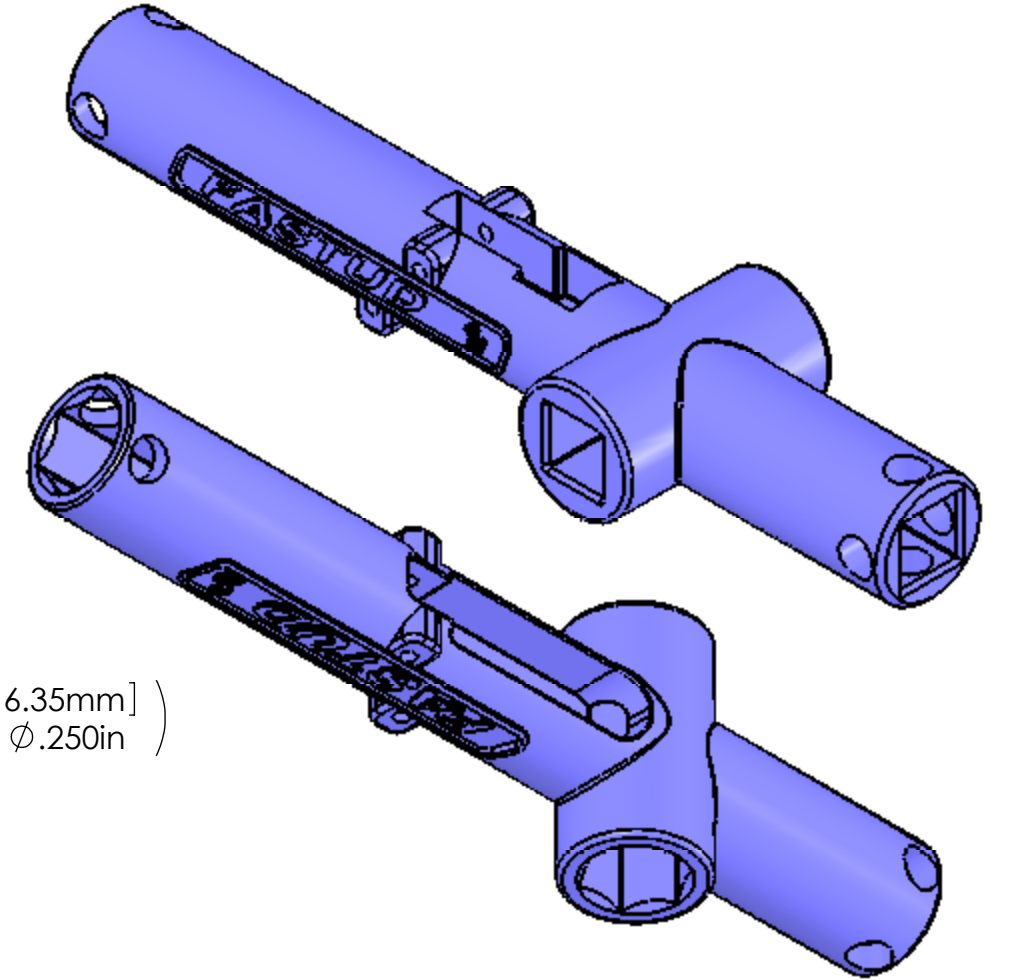


SECTION C-C



SECTION D-D

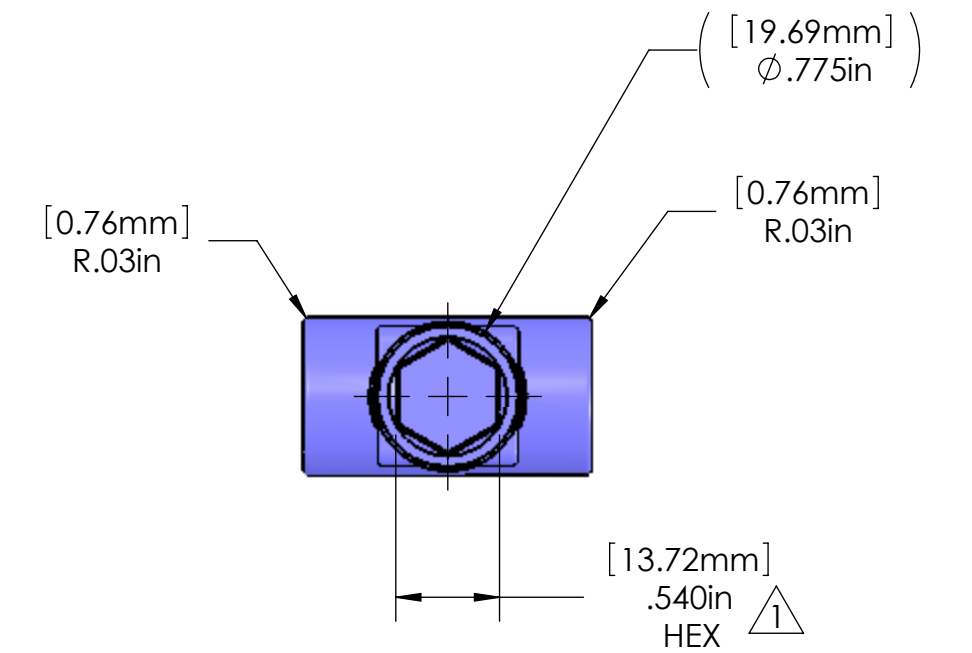
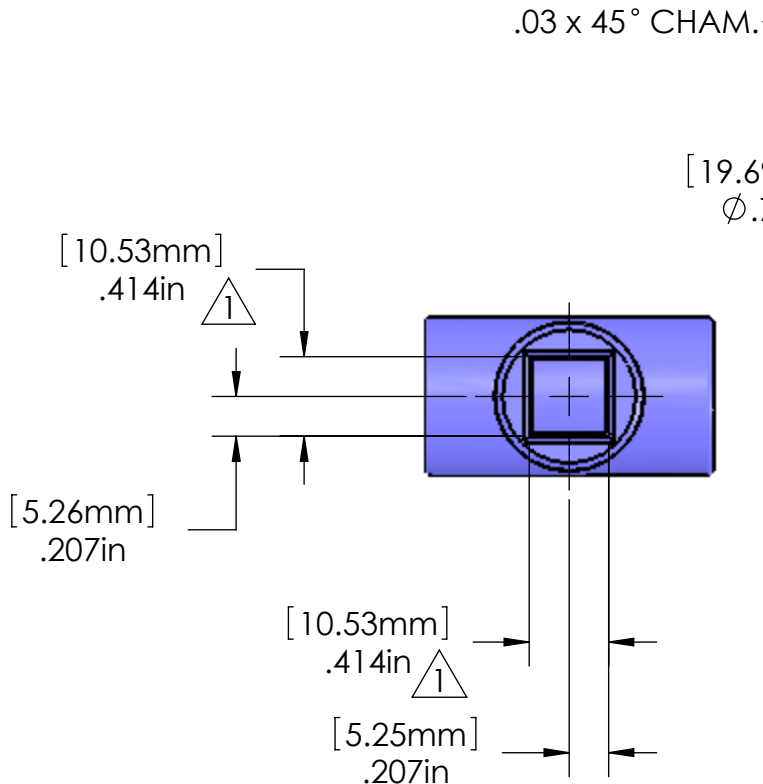
(4 X [6.35mm] Ø.250in)



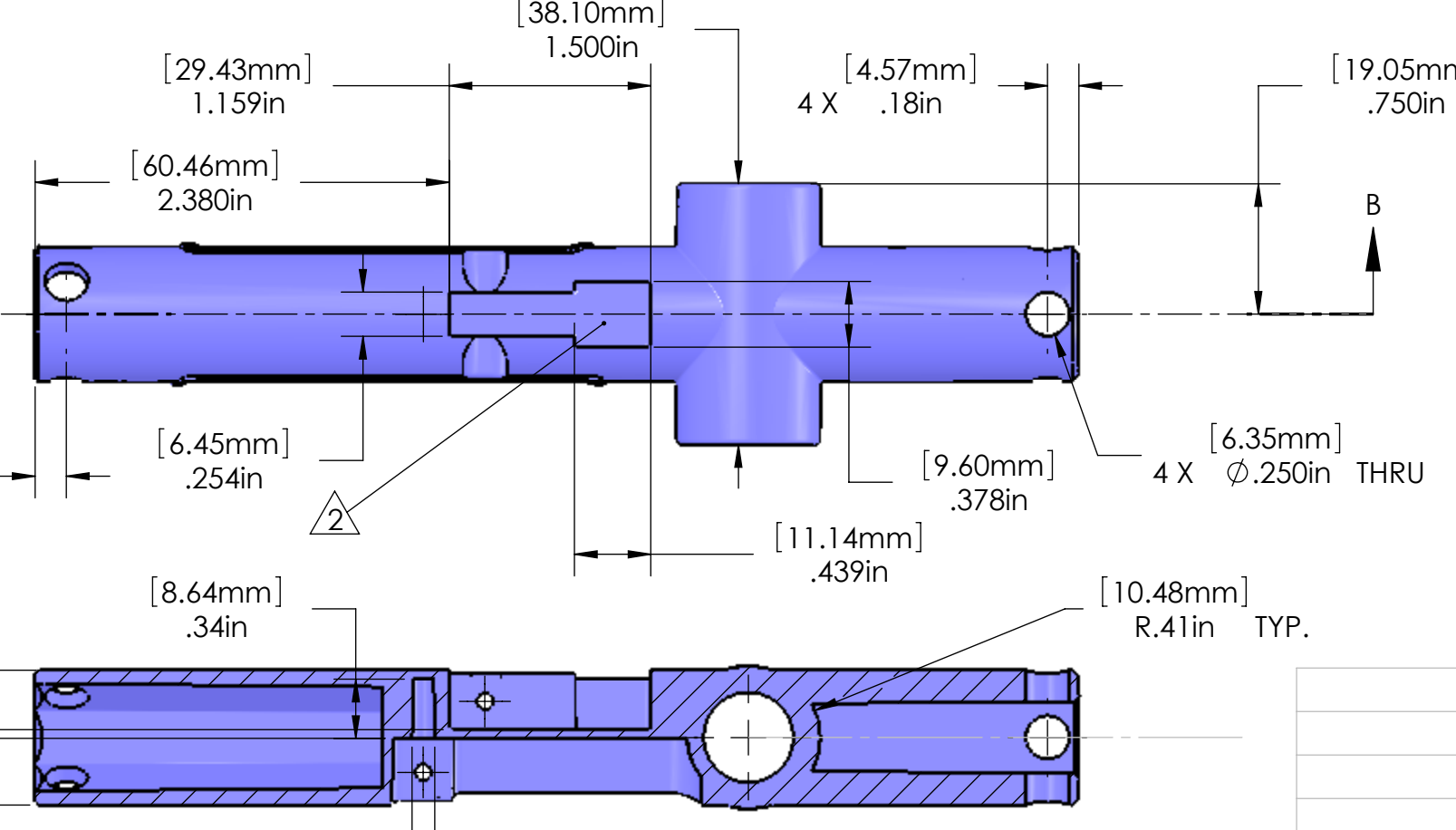
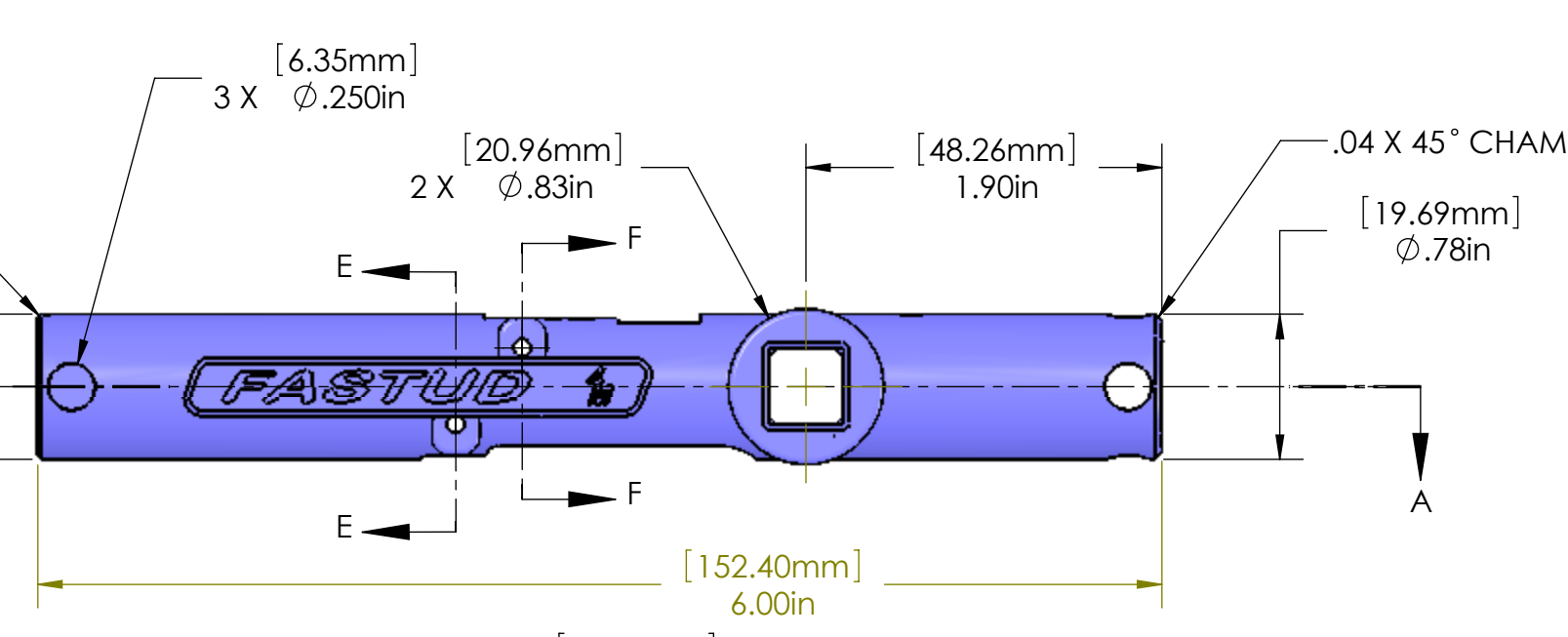
SECTION A-A

([10.53mm] .414in SQUARE)

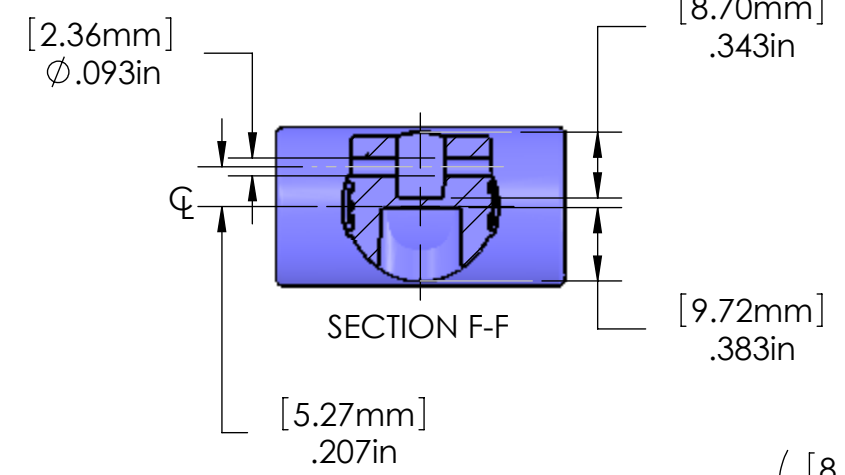
.03 x 45° CHAM.



SECTION E-E



SECTION B-B

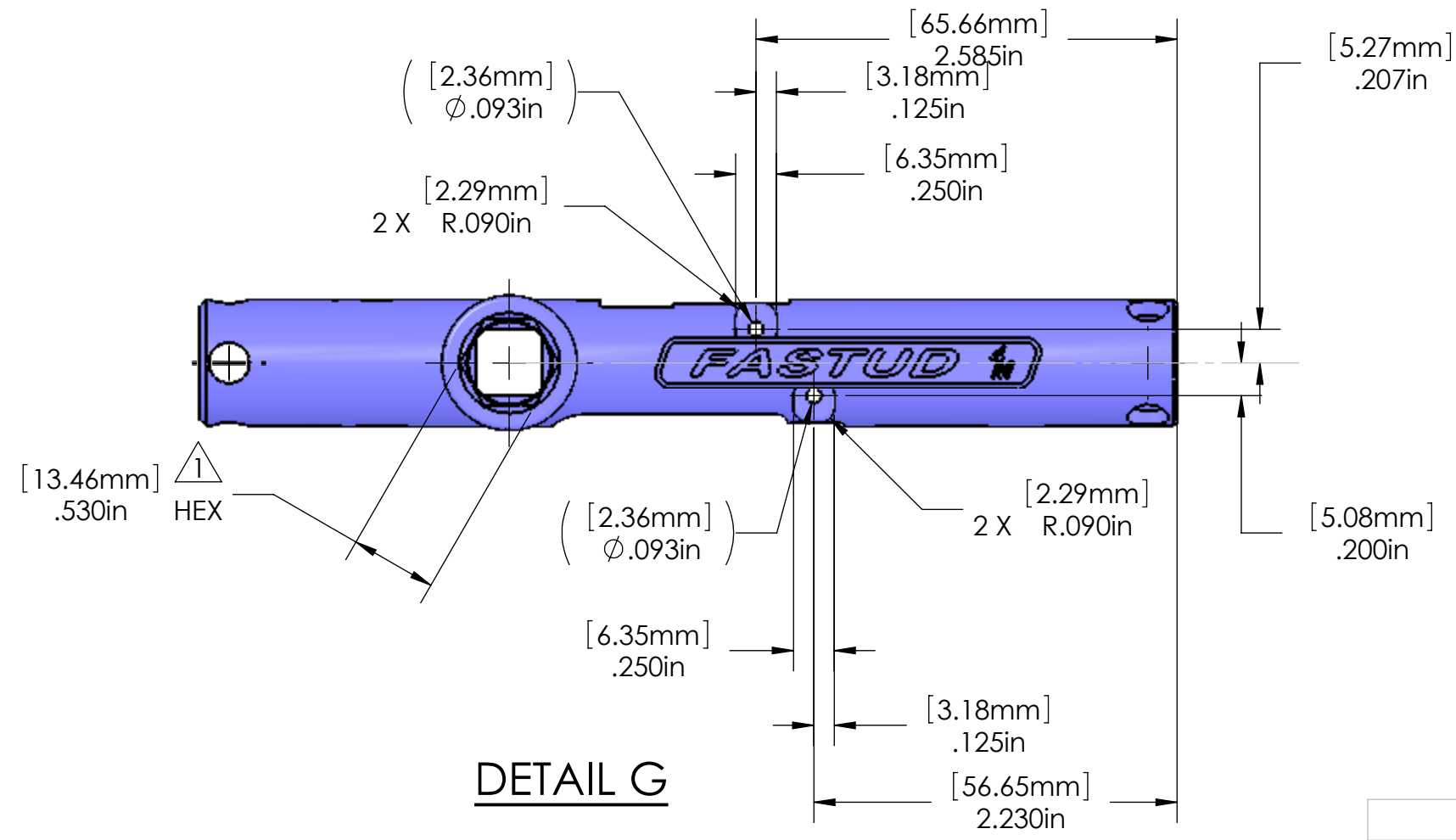
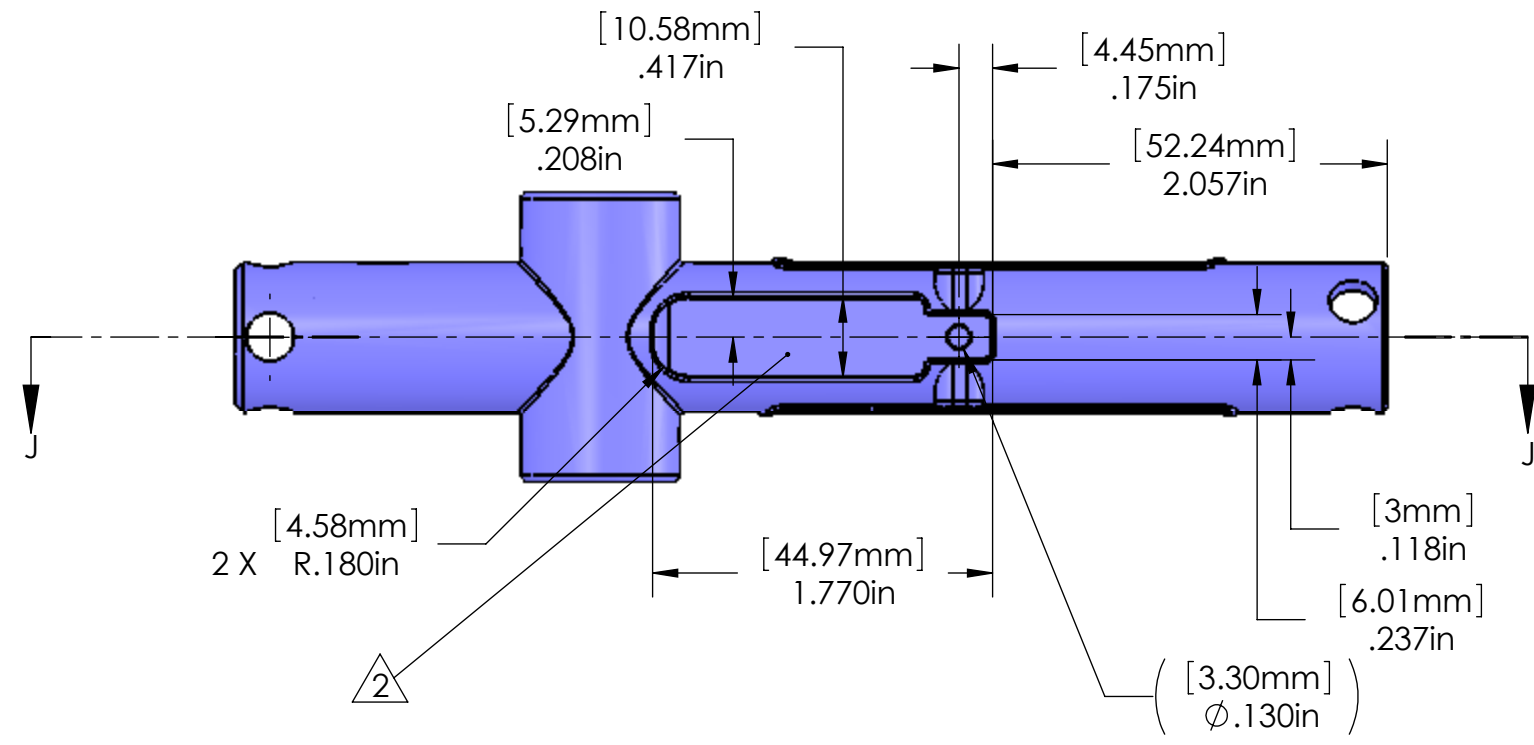
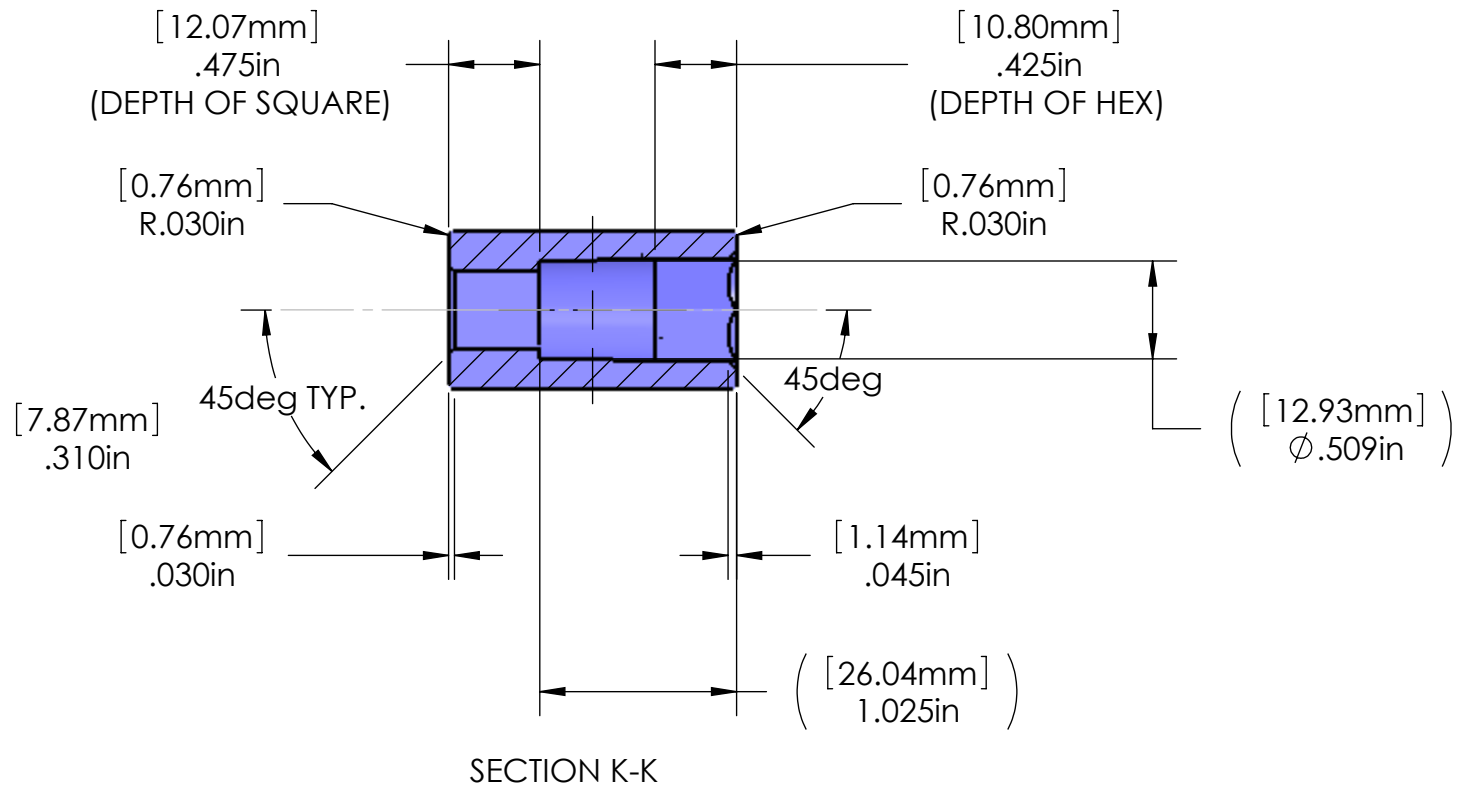
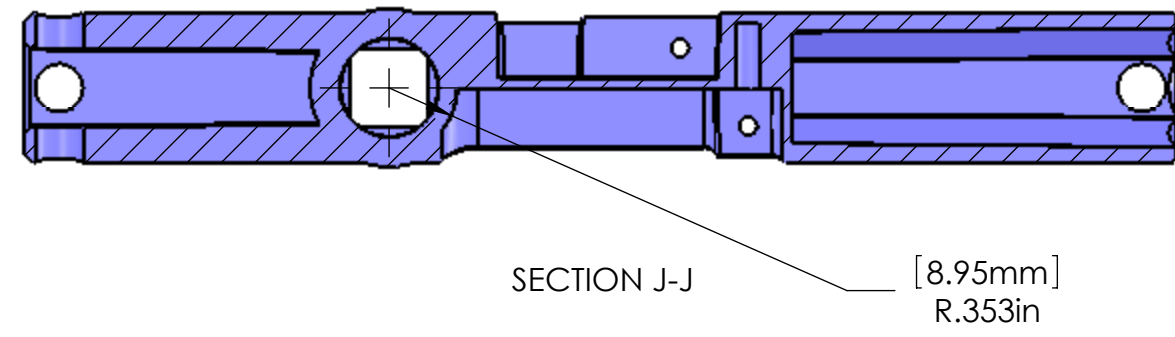
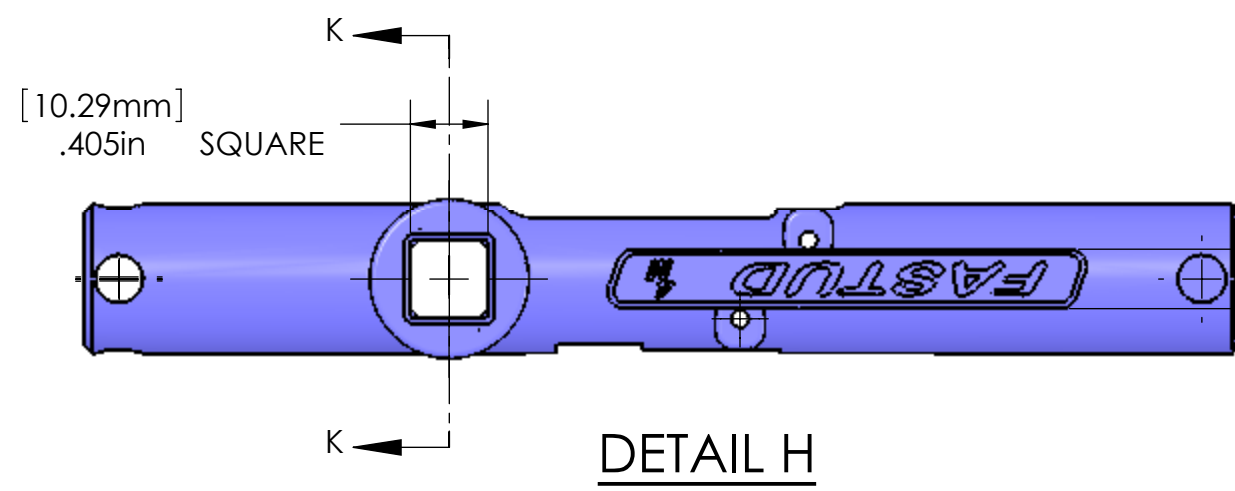


SECTION F-F

2 ALLOWABLE DRAFT ANGLE OF 1.0° PER SIDE IS ALLOWED ON FEATURE INDICATED RESULTING IN A MINUS SHOWN DIMENSION CONDITION.
 1 ALLOWABLE DRAFT ANGLE OF 0.5° PER SIDE IS ALLOWED ON FEATURE INDICATED RESULTING IN A MINUS SHOWN DIMENSION CONDITION.

PROPRIETARY AND CONFIDENTIAL
 THE INFORMATION CONTAINED IN THIS DRAWING IS THE SOLE PROPERTY OF COMPREHENSIVE TECHNICAL SOLUTIONS, INC. ANY REPRODUCTION IN PART OR AS A WHOLE WITHOUT THE WRITTEN PERMISSION OF COMPREHENSIVE TECHNICAL SOLUTIONS, INC. IS PROHIBITED.

UNLESS OTHERWISE SPECIFIED:		NAME	DATE	TITLE: FASTUD
DIMENSIONS ARE IN INCHES		DRAWN		
TOLERANCES:		CHECKED		SIZE DWG. NO. REV C
FRACTIONAL ±		ENG APPR.		
ANGULAR: MACH ± BEND ±		MFG APPR.		SCALE: 1:1 WEIGHT: SHEET 1 OF 2
TWO PLACE DECIMAL ±		Q.A.		
THREE PLACE DECIMAL ±		COMMENTS:		
INTERPRET GEOMETRIC TOLERANCING PER:	FINISH			
MATERIAL	DO NOT SCALE DRAWING			
NEXT ASSY	USED ON			
APPLICATION				



PROPRIETARY AND CONFIDENTIAL
 THE INFORMATION CONTAINED IN THIS DRAWING IS THE SOLE PROPERTY OF COMPREHENSIVE TECHNICAL SOLUTIONS, INC. ANY REPRODUCTION IN PART OR AS A WHOLE WITHOUT THE WRITTEN PERMISSION OF COMPREHENSIVE TECHNICAL SOLUTIONS, INC. IS PROHIBITED.

UNLESS OTHERWISE SPECIFIED:		NAME	DATE
DIMENSIONS ARE IN INCHES		DRAWN	
TOLERANCES:		CHECKED	
FRACTIONAL ±		ENG APPR.	
ANGULAR: MACH ± BEND ±		MFG APPR.	
TWO PLACE DECIMAL ±		Q.A.	
THREE PLACE DECIMAL ±		COMMENTS:	
INTERPRET GEOMETRIC TOLERANCING PER:			
MATERIAL			
FINISH			
NEXT ASSY	USED ON		
APPLICATION			
DO NOT SCALE DRAWING			

TITLE:		
FASTUD		
SIZE	DWG. NO.	REV
C		C
SCALE: 1:1	WEIGHT:	SHEET 2 OF 2